

44 CE - WALL BOXES IN GW PLAST® 75; GWT 650°C

TECHNICAL CHARACTERISTICS

Standard: IEC 60670-1; IEC 60670-22; CEI 23-48	Material: GW PLAST 75, versions with smooth wall, Halogen-Free according to EN 50267-2-2
Degree of protection: IP 44; IP 55; IP 56	Impact resistance: IK 07 (Box IP 44) IK 08 (Box IP 55 e IP 56)
Protection against indirect contacts: Double insulation - (*)	Resistance to abnormal heat and fire: Thermo-pressure with ball 85°C Glow wire test 650°C
Installation temperature: Max +60°C Min -25°C	

(*) Full insulation to EN 61140 Standard, obtainable with screwcaps GW 44 622 or GW 44 623 or fixing brackets GW 44 621 in insulating material.

BEHAVIOUR WITH CHEMICAL AND ATMOSPHERIC AGENTS

Saline solution	Acids		Bases		Solvents				Mineral oil	UV rays
	Concentrated	Diluted	Concentrated	Diluted	Hexane	Benzol	Acetone	Ethyl alcohol		
Resistant	Not resistant	Resistant	Resistant	Resistant	Limited resistance	Not resistant	Not resistant	Limited resistance	Limited resistance	Limited resistance

44 CE - WALL BOXES IN GW PLAST® 75; GWT 960°C

TECHNICAL CHARACTERISTICS

Standard: IEC 60670-1; IEC 60670-22; CEI 23-48	Material: GW PLAST 75
Degree of protection: IP44; IP55; IP56	Impact resistance: IK 07 (IP 44 Box); IK 08 (IP 55 Box)
Protection against indirect contacts: Double insulation - (*)	Resistance to abnormal heat and fire: Thermo-pressure with ball 85°C Glow wire test 960°C
Installation temperature: Max +60°C Min -25°C	

(*) Full insulation to EN 61140 Standard, obtainable with screwcaps GW 44 622 or GW 44 623 or fixing brackets GW 44 621 in insulating material.

BEHAVIOUR WITH CHEMICAL AND ATMOSPHERIC AGENTS

Saline solution	Acids		Bases		Solvents				Mineral oil	UV rays
	Concentrated	Diluted	Concentrated	Diluted	Hexane	Benzol	Acetone	Ethyl alcohol		
Resistant	Not resistant	Resistant	Resistant	Resistant	Limited resistance	Not resistant	Not resistant	Limited resistance	Limited resistance	Limited resistance

44 CE - WALL BOXES IN GW PLAST® 120, GWT 650°C FOR INDUSTRIAL APPLICATIONS

TECHNICAL CHARACTERISTICS

Standard: IEC 60670-1; IEC 60670-22; CEI 23-48	Material: GW PLAST 120, Halogen-Free according to EN 50267-2-2
Degree of protection: IP 56	Impact resistance: IK 08
Protection against indirect contacts: Double insulation - (*)	Resistance to abnormal heat and fire: Thermo-pressure with ball 120°C Glow wire test 650°C
Installation temperature: Max +60°C Min -25°C	

(*) Full insulation to EN 61140 Standard, obtainable with screwcaps GW 44 622 or GW 44 623 or fixing brackets GW 44 621 in insulating material.

BEHAVIOUR WITH CHEMICAL AND ATMOSPHERIC AGENTS

Saline solution	Acids		Bases		Solvents				Mineral oil	UV rays
	Concentrated	Diluted	Concentrated	Diluted	Hexane	Benzol	Acetone	Ethyl alcohol		
Resistant	Not resistant	Limited resistance	Limited resistance	Limited resistance	Limited resistance	Not resistant	Not resistant	Limited resistance	Limited resistance	Limited resistance

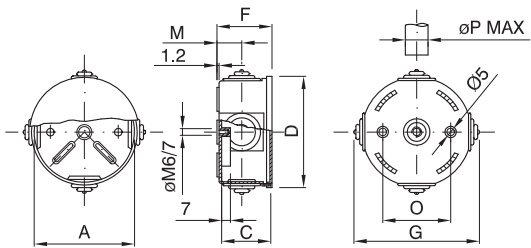
44 CE RANGE

TECHNOPOLYMER SURFACE MOUNTING WATERTIGHT JUNCTION BOXES



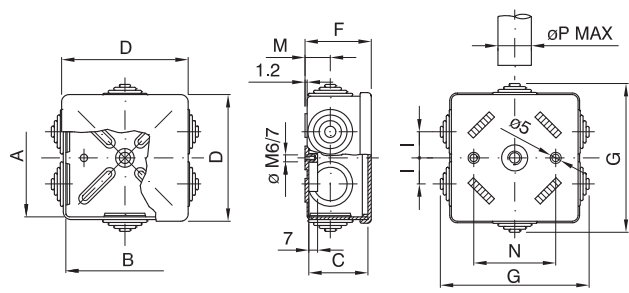
DIMENSIONAL TABLES

44 CE RANGE - JUNCTION BOXES WITH CABLE ENTRIES



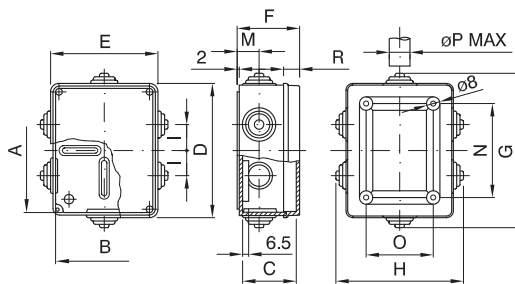
CODE	A	C	D	F	G	M	O	P
GW 44 001								
GW 44 051	65	35	72.5	40.5	88	17	40	20
GW 44 002								
GW 44 052	80	40	87.5	45.5	104.5	17	50	20

44 CE RANGE - JUNCTION BOXES WITH CABLE ENTRIES



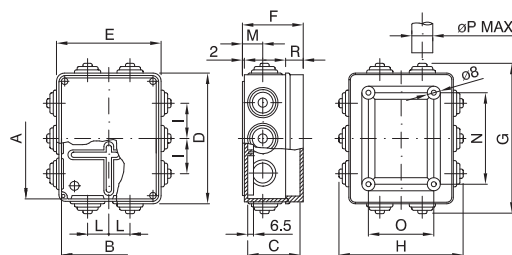
CODE	A	B	C	D	F	G	I	M	N	P
GW 44 003										
GW 44 053	80	80	40	87.5	45.5	110	20	17	50	20

44 CE RANGE - JUNCTION BOXES WITH CABLE ENTRIES



CODE	A	B	C	D	E	F	G	H	I	M	N	O	P	R
GW 44 004														
GW 44 024	100	100	52	108	108	58	130	130	20	23	64	64	25	15
GW 44 054														
GW 44 005														
GW 44 055	120	80	50	129	89	58	152.5	112.5	30	23	82	42	25	15

44 CE RANGE - JUNCTION BOXES WITH CABLE ENTRIES



CODE	A	B	C	D	E	F	G	H	I	L	M	N	O	P	R
GW 44 006															
GW 44 026	150	110	70	158	118	76	181.5	141	43	23	23	112	72	25	24
GW 44 056															

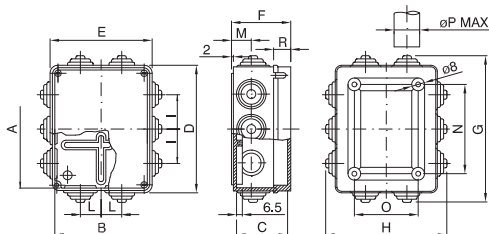
44 CE RANGE

44 CE RANGE

TECHNOPOLYMER SURFACE MOUNTING WATERTIGHT JUNCTION BOXES

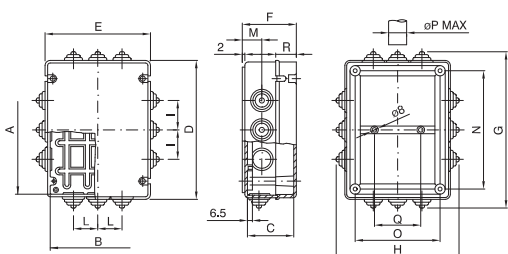


44 CE RANGE - JUNCTION BOXES WITH CABLE ENTRIES



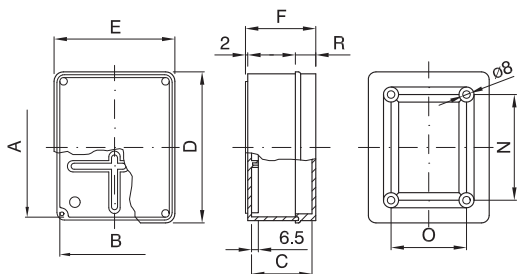
CODE	A	B	C	D	E	F	G	H	I	L	M	N	O	P	R
GW 44 007	190	140	70	200	154	79	226	180	52	26	29	144	98	32	25
GW 44 057															

44 CE RANGE - JUNCTION BOXES WITH CABLE ENTRIES



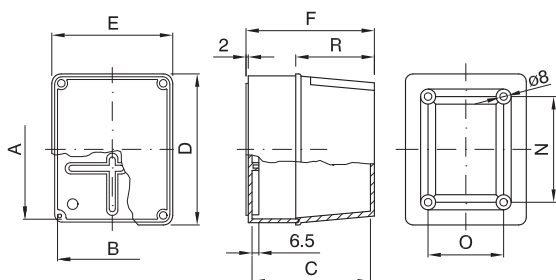
CODE	A	B	C	D	E	F	G	H	I	L	M	N	O	P	Q	R
GW 44 008	240	190	90	254	200	98	280	226	60	52	29	194	140	32	-	28
GW 44 058																
GW 44 009	300	220	120	316	236	128	350	270	62	60	37.5	250	170	40	-	49.5
GW 44 059																
GW 44 010	380	300	120	396	316	128	430	350	71	62	37.5	331	251	40	124	49.5
GW 44 060																
GW 44 011	460	380	120	474	396	128	508	430	65	71	37.5	380	310	40	300	49.5
GW 44 061																

44 CE RANGE - JUNCTION BOXES WITH SMOOTH WALLS - PLAIN LID



CODE	A	B	C	D	E	F	N	O	R
GW 44 204									
GW 44 234	100	100	50	109	109	58	64	64	15
GW 44 274									
GW 44 404									
GW 44 205									
GW 44 275	120	80	50	129	89	58	82	42	15
GW 44 405									
GW 44 206									
GW 44 236	150	110	70	159	119	76	112	72	24
GW 44 276									
GW 44 406									
GW 44 426									

44 CE RANGE - JUNCTION BOXES WITH SMOOTH WALLS - DEEP LID



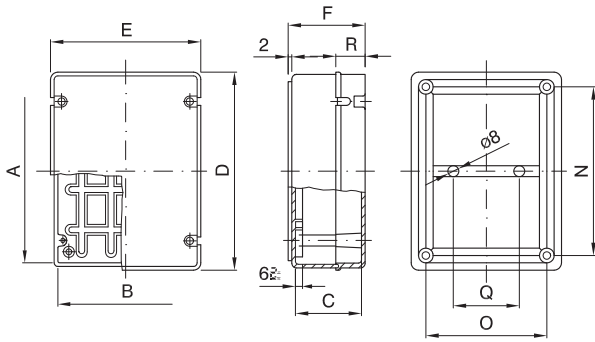
CODE	A	B	C	D	E	F	N	O	R
GW 44 214									
GW 44 414	100	100	120	109	109	126	64	64	83
GW 44 254									
GW 44 215									
GW 44 415	120	80	120	129	89	126	82	42	83
GW 44 255									
GW 44 216									
GW 44 416	150	110	140	159	119	146	112	72	94
GW 44 436									
GW 44 256									

44 CE RANGE

TECHNOPOLYMER SURFACE MOUNTING WATERTIGHT JUNCTION BOXES

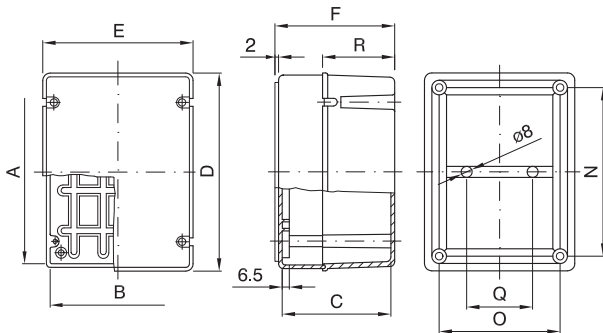


44 CE RANGE - JUNCTION BOXES WITH SMOOTH WALLS - PLAIN LID



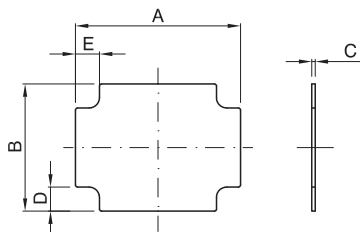
CODE	A	B	C	D	E	F	N	O	Q	R
GW 44 207										
GW 44 277	190	140	70	200	154	79	144	98	-	25
GW 44 407										
GW 44 427										
GW 44 208										
GW 44 278	240	190	90	254	200	98	194	140	-	28
GW 44 408										
GW 44 428										
GW 44 209										
GW 44 279	300	220	120	316	236	128	250	170	-	49.5
GW 44 409										
GW 44 429										
GW 44 210										
GW 44 280	380	300	120	396	316	128	331	251	124	49.5
GW 44 410										
GW 44 430										
GW 44 211										
GW 44 281	460	380	120	474	396	128	380	310	300	49.5
GW 44 411										
GW 44 431										

44 CE RANGE - JUNCTION BOXES WITH SMOOTH WALLS - DEEP LID



CODE	A	B	C	D	E	F	N	O	Q	R
GW 44 217										
GW 44 417	190	140	140	200	154	148	144	98	-	94
GW 44 437										
GW 44 257										
GW 44 218										
GW 44 418	240	190	160	254	200	167.5	194	140	-	97.5
GW 44 438										
GW 44 258										
GW 44 219										
GW 44 419	300	220	180	316	236	188	250	170	-	109.5
GW 44 439										
GW 44 259										
GW 44 220										
GW 44 420	380	300	180	396	316	188	331	251	124	109.5
GW 44 440										
GW 44 260										
GW 44 221										
GW 44 421	460	380	180	474	396	188	380	310	300	109.5
GW 44 441										
GW 44 261										

44 CE RANGE - BACK MOUNTING PLATES



CODE	A	B	C	D	E
GW 44 615	170	130	1.5	26	26
GW 44 625			4		
GW 44 616	230	170	1.5	28	28
GW 44 626			4		
GW 44 617	287	207	1.5	28.5	28.5
GW 44 627			4		
GW 44 618	363	283	2	26.5	56.5
GW 44 628			4		
GW 44 619	438	360	2	55	44
GW 44 629			4		

44 CE RANGE